

Installation Instructions

CAUTION: Certain bow shapes may not allow proper installation position for Rub Rail Mounted LED Navigation Lights, I.E. pontoon boats or other square bow shapes, and certain tight-radius bow shapes. Do not place on Rub Rail with other lights. Contact TACO Marine Technical Support for questions or assistance before installing lights. TACO Marine is not responsible for incorrect installation by boat builders or consumers. Side light beam “edge” line should NEVER CROSS over to each other (Red or Green). Both color light beams MUST BE PARALLEL to each other facing forward in the mounting position installation.

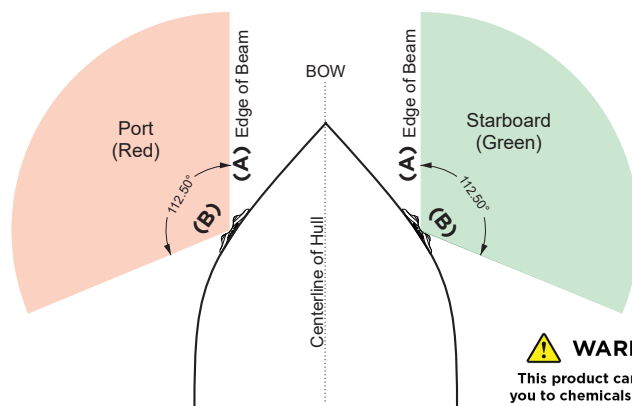
- Using the diagram below with “EDGE OF BEAM” lines facing outward from boat, EDGE OF BEAM (A) line must be parallel to the centerline of the boat and parallel to EDGE OF BEAM on the opposite side light while lights are illuminated.
- Slide diagram along rub rail until EDGE OF BEAM line is parallel to the centerline of boat.
- Using the center of the light beam lines (B) noted on diagram, place a mark on the rub rail.
- Drill 1/8” pilot hole into the rub rail. For stainless steel insert applications, you must have a section cut away from the stainless insert to drill pilot hole into rub rail. For vinyl insert applications, you can simply drill pilot hole through insert into the rub rail.
- After completing Step 4, drill a 5/8” hole at the pilot hole location. Clean away any debris or rough edges in rub rail and/or insert hole.
- Before making electrical connections, insert navigation light fixture into the 5/8” hole and mark for fasteners of cover plate.
- Remove the light fixture and use recommended procedure and marine connectors to strip and connect wires to the power (red+) and ground (black -) source.
- Fasten navigation light fixture to the rub rail using #8 stainless-steel fasteners (not included). Fastener threads and hole through rub rail should be sealed using marine-grade sealant.
- Follow same procedure (Steps 2 through 8) for mounting light to the other side of the boat.

Box Includes

- 2 NAVIGATION LIGHT BEZEL
- 2 INSERTS
- LED RUB RAIL NAV LIGHT
- 8”X8” 3M POLY BAG

Required* *not included

- SAFETY GLASSES
- ELECTRIC DRILL
- ELECTRIC SCREW GUN
- HACK SAW OR SOMETHING SIMILAR
- PENCIL
- MASKING/PAINTER’S TAPE
- 1/8” DRILL BIT
- 5/8” DRILL BIT
- MARINE-GRADE ELECTRICAL CONNECTORS
- MARINE-GRADE SEALANT



⚠️ WARNING:

This product can expose you to chemicals including DI (2-ethylhexyl) Phthalate (DEHP), which is known to the state of California to cause cancer, birth defects or other reproductive harm. For more information, go to www.P65Warnings.ca.gov.

Service Instructions

*To properly service the light,
it needs to be removed from the rub rail.*

Required*
***not included**

• ALLEN WRENCH

• HEAT SINK GREASE

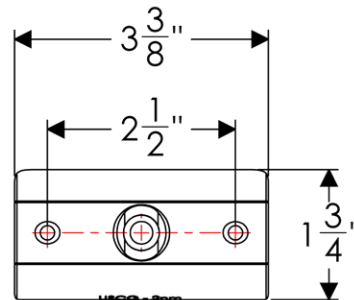
• NEW LED

1. Disconnect Wiring

We recommend disconnecting the wiring of the light. However, if you have enough wire to remove the light and set it safely and securely on the gunnel without the light falling overboard, then disconnecting is not necessary.

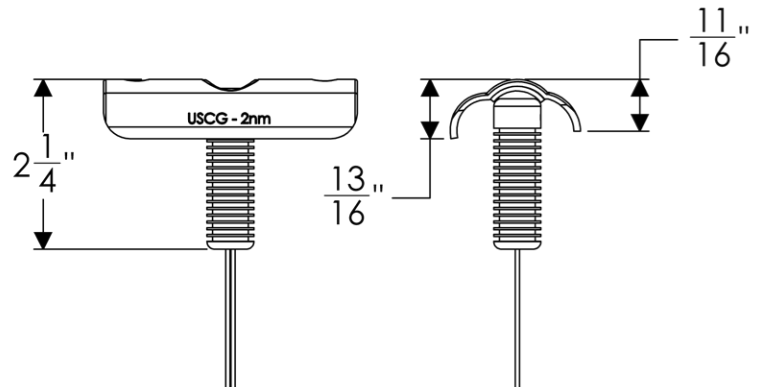
2. Remove LED from Heat Sink

Using a wrench, carefully loosen the setscrew counter-clockwise. Do not remove the setscrew. Also, do not loosen it too much or else the screw may fall out. Only loosen the setscrew enough to slide the LED out of the heat sink and cover openings.



3. Inserting New LED

Once the new LED light is ready, apply a small amount of heat sink grease, which may be purchased online or at most electronic supply stores. Apply the grease to the shaft of the new LED where the inner heat sink hole and LED shaft make contact with each other. The heat sink grease helps to dissipate heat effectively. After applying heat sink grease, simply reverse all previous steps. Be sure to hold the heat sink plate and LED together while tightening the setscrew to finish the task.





RUB RAIL MOUNTED LED NAVIGATION LIGHTS 4-1/2"

F38-6602 Patent USD760427

The compliance date for ABYC A-16, Installation of Electric Navigation Lights, and C-5, Construction and Testing of Electric Navigation Lights, went into effect on August 1, 2023. All TACO Marine Navigation, Masthead, and All-Around Lights meet the requirements set forth and are approved under the NMMA Type Accepted Agreement. Additionally, all TACO Marine Navigation Lights have always used LED Cree chip technology. Please see below for documented approval of the required testing:

- C-5 Testing
- All-Around (F38-9000 Root Part Number)
- Component ID 2619819

- C-5 Compliant
- Navigation Lights (Side Lights)
- Component ID 2619788

INSTRUCT-6600